

AT-G SERIES

TOPCON

TOPCON
WORLD'S FIRST
Technology

AT-G SERIES AUTO LEVELS



High accuracy, High value Auto Levels

- 6 MODELS - 24X TO 32X MAGNIFICATION
- WATERPROOF, DUSTPROOF CONSTRUCTION
- 2 SPEED FOCUS
- ANGULAR READING TO 10 MINUTES
- CLAMPLESS FINE HORIZONTAL ADJUSTMENTS
- VERY SHORT 0.5 METER FOCUSING
- AT-A-GLANCE LEVEL VIAL
- FAST, ACCURATE, AND STABLE LEVELING SYSTEM



It's time.

From Engineering to Construction, Topcon offers the industries most complete line of Auto-Levels...

Topcon, the World leader in precision survey optics, offers a complete line of high-accuracy, highly durable auto-levels that withstand the harsh environment of today's active jobsites. All of Topcon's AT-G Series levels feature revolutionary magnetically dampened compensators that level faster with less sensitivity to vibration, a huge benefit when working near heavy equipment or active haul roads. And every AT-G model features Topcon's mylar suspension system, a World's First, that resists temperature induced errors associated with wire hung systems. All AT-G's are also waterproof, dustproof and dry-nitrogen charged eliminating lens clouding and condensation during temperature fluctuations throughout the day, or when inclement weather moves in.

At Topcon we're keenly aware of the value of your time, and the trust you put in your equipment to increase productivity and profitability while maintaining accuracy and reliability, and Topcon's AT-G Series delivers. Set-up and leveling is fast and accurate using the level vial mirror. Simply flip the protective cap up and use the integrated tribrach to level while glancing at the mirror. You won't even need to move your eye from the instrument eyepiece. Then get on target quickly using the course and fine focusing knobs located conveniently on either side of the telescope. For precise angle measurement, 1° rotation marks are provided on the base with numeric indication every 10°, up to a full 360°. The AT-G Series offers magnification powers from 24x to 32x for clear, precise shots over distance. The AT-G3, 4, and 6 even provide a super-short .5 meter focus for smaller sites.



Green Label: high quality, high value from Topcon

Topcon is pleased to introduce Green Label. Green Label represents Topcon's commitment to supplying the Survey and Construction industries with the

World's most cost effective, high quality positioning products. It's through Topcon's continued investment in state-of-the-art global engineering and manufacturing that Green Label is made possible. Green Label, the start of the next Topcon revolution. Topcon. It's time.



AT-G SERIES

Auto Levels



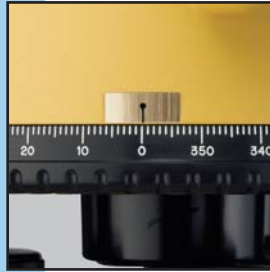
Seven models to choose from, limitless applications, one thing in common: Topcon precision



Waterproof/Dustproof construction

Completely waterproof and dustproof, the AT-G Series is ready to go to work whether it's dry and dusty, or cold and rainy. Even in damp confines such as tunneling, they're up to the task.

Each AT-G telescope is rigorously tested, then charged using dry nitrogen assuring lens clouding and condensation won't be a problem with these levels.



Angles made easy

AT-G1 Only: Topcon's AT-G1 incorporates a 25x microscope and transparent horizontal circle containing numbered degree indications 360°. Get super-accurate angle information to 10 arc-minutes, with a slight turn of the head.

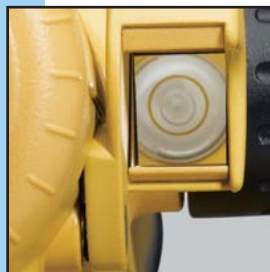
AT-G2/2A/3/4/6: The AT-G Series lower circle provides graduated angle indication clockwise from 1° to 360° (0G to 400G) making angle measurements a snap. Values are indicated at 10° increments for at a glance reference.



Very short 1.65' (0.5m) focus

(AT-G3/AT-G4/AT-G6 only)

Big jobs or small, close-in or across the site, Topcon's AT-G Series feature a very short focus distance so you can set it up where it's the most useful, and out of the way.



Easy-to-see level vial

Level up without moving from the eyepiece. Using the integrated hinged mirror, simply tilt the mirror so the circular level vial is viewable at eye height of the aperture. Now just use the tribrach base to center the circular level vial and level the AT-G with a slight shift of the eye. When not in use, keep the cap closed to protect vial and mirror from dirt and damage.

New Ergonomic design

Redesigned for smoother, easier operation, Topcon's G series levels feature large, logically placed knobs, faster, accurate adjustments and lightweight materials for less weight when you're on the move.



**Topcon's automatic levels are compact, lightweight, and completely waterproof.
From Engineering to construction, open field to tunneling, there's
an AT-G made to fit you and your jobs.**

Accessories

Make your AT-G Series even more productive by adding these optional accessories. Contact your local Topcon Dealer for availability and pricing:



Vertical Eyepiece, Part #: 55302
Take readings with a simple tilt of your head. The vertical eye piece eliminates the bending and stooping that causes fatigue and pain after a long day in the field. (AT-G1/AT-G2/AT-G2A/AT-G3 only)



Optical Micrometer
Part #: 56351 (in), 56352 (ft), 56305 (m)
Add Topcon's optical micrometer to your AT-G Series and improve accuracy to $\pm 0.01'$ (0.4mm) over 3300' (1km) of double run leveling. It easily attaches to front, over the lens, with a counter weight attached to the eye-piece. (AT-G1/AT-G2/AT-G2A/AT-G3 only)



Illuminator-5, Part #: 56308
Topcon's illuminator adds just enough light to the telescope to see targeting and angular reference marks in dimly lit applications such as tunneling, or at night. (AT-G1/AT-G2/AT-G2A/AT-G3 only)



40X Eyepiece, Part #: 56303
Boost the magnification of your 32x AT-G series quickly and easily by adding Topcon's 40x magnifier in place of the existing eyepiece. (AT-G1/AT-G2/AT-G2A only)



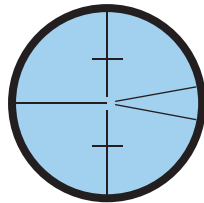
AT-G1

32x magnification, 25x microscope for angle readings to 10 arc-minutes, 2-speed focus, easy-to-see level vial, and an impressive list of optional accessories including vertical eyepiece, optical micrometer, 40x eyepiece adaptor, and illuminator for low ambient light conditions.



AT-G2A

32x magnification, 2-speed focus, easy-to-see level vial, and an impressive list of optional accessories including vertical eyepiece, optical micrometer, 40x eyepiece adaptor, and illuminator for low ambient light conditions.

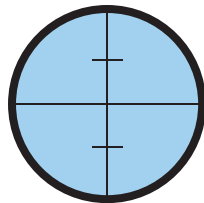


G1/G2/G2A



AT-G2

32x magnification, easy-to-see level vial, and an impressive list of optional accessories including vertical eyepiece, optical micrometer, 40x eyepiece adaptor, and illuminator for low ambient light conditions.



G3/G4/G6



AT-G3

30x magnification, easy-to-see level vial, and an impressive list of optional accessories including vertical eyepiece, optical micrometer, and illuminator for low ambient light conditions.



AT-G6 Green Label

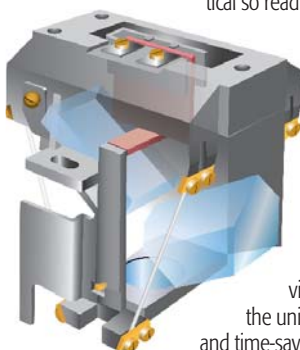
24x magnification, easy-to-see level vial, and short-range 0.5 meter focus



AT-G4 Green Label

26x magnification, easy-to-see level vial, and short-range 0.5 meter focus.

Rapid, stable auto-leveling



A compensator does just that, it compensated for slight errors inevitable so readings are consistent. Traditional wire hung compensators have been proven to expand and contract at varying rates, fluctuating greatly throughout the day as the unit warms or cools. That's why Topcon introduced the World's First mylar suspended compensator. It's resistant to expansion and contraction providing unmatched accuracy throughout the day.

But Topcon didn't stop there. All AT-G Series compensators also feature magnetic dampening, greatly speeding the "settling" of the unit after set-up, and limiting vibrations due to heavy machine operation or traffic near the unit. Simply put, these are the most advanced, accurate and time-saving levels available, and they're only from Topcon!

AT-G Series package

- Auto level
- Hard shell carry case
- Plumb bob
- Lens cleaning cloth
- Weather protective bag
- Allen wrench
- Operator's manual



Specifications

	AT-G1	AT-G2/2A	AT-G3	AT-G4	AT-G6
TELESCOPE					
Length (in./mm)	9/229	9/229	9/230	7.7/192	7.7/193
Image	erect	erect	erect	erect	erect
Magnification	32x	32x	30x	26x	24x
Objective lens (in./mm)	1.8/45	1.8/45	1.6/40	1.2/30	1.2/30
Relative brightness	1.98	1.98	1.78	1.33	1.56
Field of view	1°20'	1°20'	1°30'	1°30'	1°30'
Resolving power	2.5"	2.5"	3.0"	3.5"	4.0"
Minimum focus (ft./m)	3.2/1.0	3.2/1.0	1.6/0.5	1.6/0.5	1.6/0.5
Stadia constant (m)	0	0	0	0	0
Stadia ratio	100	100	100	100	100
CIRCULAR LEVEL					
Sensitivity (/2mm)	8'	8'	8'	8'	8'
AUTOMATIC LEVELING					
Setting accuracy	±0.3"	±0.3"	±0.3"	±0.3"	±0.3"
Compensating range	±15'	±15'	±15'	±15'	±15'
ACCURACY @ 100FT. (30M)					
w/o optical micrometer (in./mm)	-	-	-	±0.08/±2.0	±0.08/±2.0
ACCURACY 1KM DOUBLE RUN LEVEL					
w/o optical micrometer (in./mm)	±0.03/±0.7	±0.03/±0.7	±0.06/±1.5	±0.08/±2.0	±0.08/±2.0
with optical micrometer	±0.02/±0.4	±0.02/±0.4	±0.04/±0.10	N/A	N/A
HORIZONTAL CIRCLE					
Diameter (in./mm)	3.5/90	4.7/117	4.7/117	4.7/117	4.7/117
Minimum division	10' (0.1g)	1° (1g)	1° (1g)	1° (1g)	1° (1g)
WEIGHT					
Instrument (lbs./kgs.)	4.6/2.1	4.1/1.8	4.1/1.8	3.5/1.6	3.5/1.6
Plastic carrying case (lbs./kgs.)	2.9/1.3	2.9/1.3	2.9/1.3	2.9/1.3	2.9/1.3

Offices Worldwide

TOPCON CORPORATION

75-1 Hasunuma-cho, Itabashi-ku • Tokyo 174-8580, Japan
Phone: 3-3558-2520 • Fax: 3-3960-4214 • www.topcon.co.jp

Topcon Europe Positioning B.V.

Essebaan 11, 2908 LJ Capelle a/d IJssel • THE NETHERLANDS
Phone: 010-4585077 • Fax: 010-4585045 • www.topconeurope.com

Topcon Corporation Beijing Office

Block A No.9, Kangding Street, Beijing Economic
Technological Development Area, Beijing 100176 • CHINA
Tel: +86-10-6780-2799 • Fax: +86-10-6780-2790



Topcon Positioning Systems, Inc.

7400 National Drive
Livermore, CA 94550
www.topconpositioning.com

Specifications subject to change without notice

©2007 Topcon Corporation All rights reserved.
P/N: 7010-0390 Rev. B Printed in U.S.A. 5/07

The Leader in Positioning Technology...

Your authorized Topcon dealer has the answer for all of your precise positioning needs. Whether you're looking for precision GPS+ control for surveying and engineering applications or layout and grade management on a construction job site, your local Topcon dealer offers the widest range of products to get the job done quickly and accurately.

And don't forget, Topcon also offers the industry's easiest-to-use GPS+ machine control systems. Capable of working as an indicate-only system or fully automatic grade control, Topcon offers systems to automate your motorgrader, paver, profiler, dozer, excavator, or ag/land leveling machines.

There's only one company that offers you all of the positioning tools to keep you competitive in today's market. They're only available from your local dealer, and they're only from Topcon.

The Leader in Customer Satisfaction...

To ensure that your Topcon system maintains peak performance, your local Topcon dealer offers factory trained and certified service technicians. And just in case service assistance isn't available in your area, our factory offers a repair and support policy second to none.

Your local Authorized Topcon dealer is: